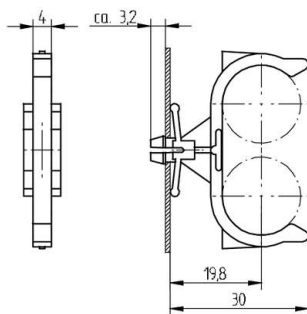
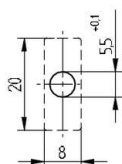


 Create pdf

Lampholders for compact fluorescent lamps

26.726.-812

Accessories for TC-L lamps



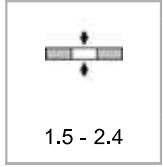
colour	pkg.	wt.	part no.
colourless	500	2 g	26.726.-812.85

Supports for lamps TC-L

Snap in pins \varnothing 5.5 mm

Support material: PC

- Supports ensure a constant gap between lamp and geartray
- For applications with a high light output (reflectors, glass covers, several lamps next to each other), we recommend metal supports, part no. 26.726.U810 / 26.726.U811 / 26.726.U826.
- The position of the lamp support relative to the lampholder acts as a lamp key system in accordance with IEC 60901



Document generated on: We, 8. February 2017 - 16:01